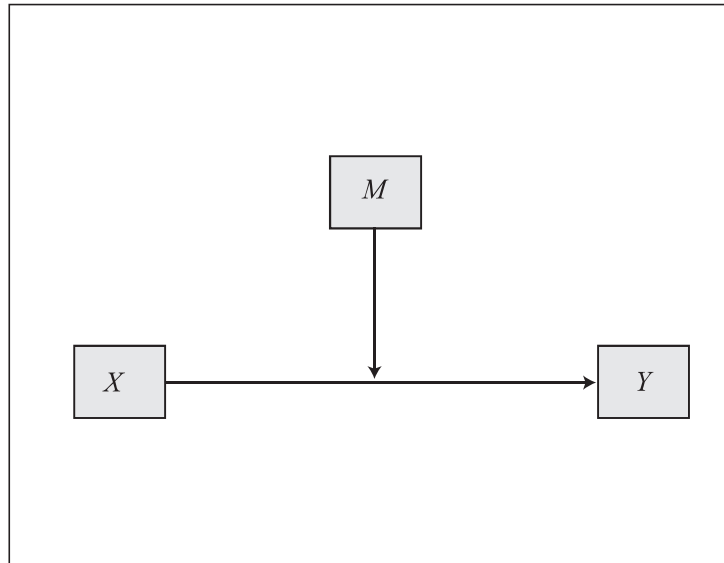
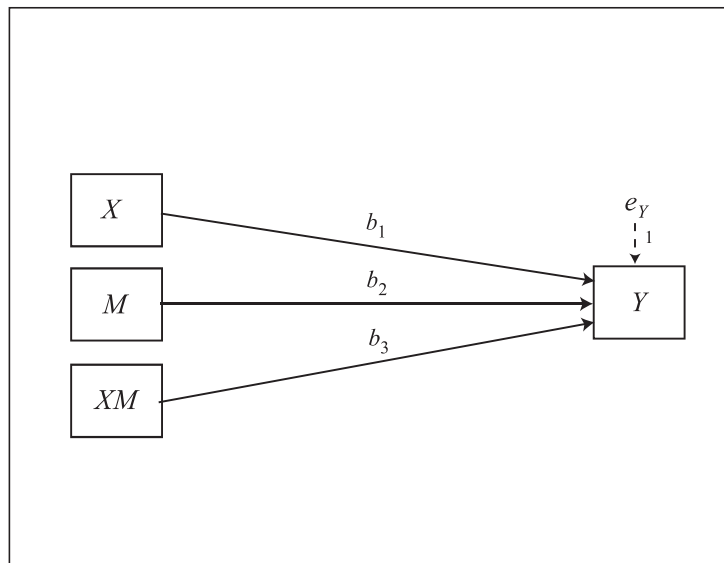


Model 1

Conceptual Diagram



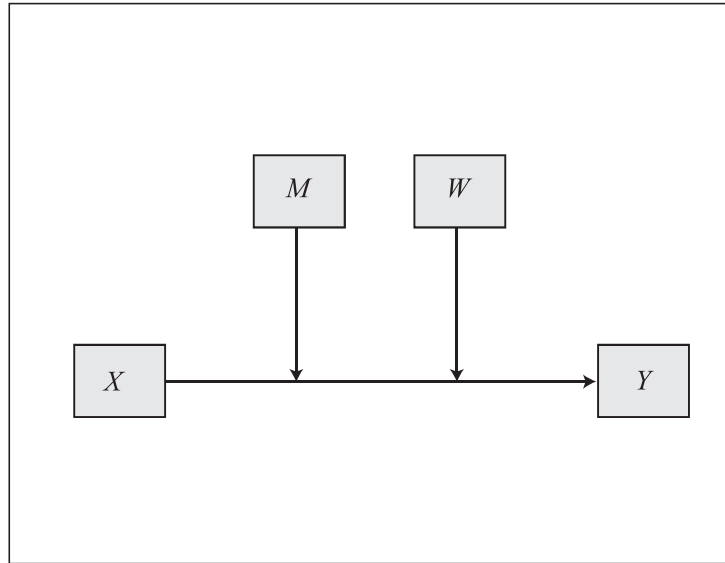
Statistical Diagram



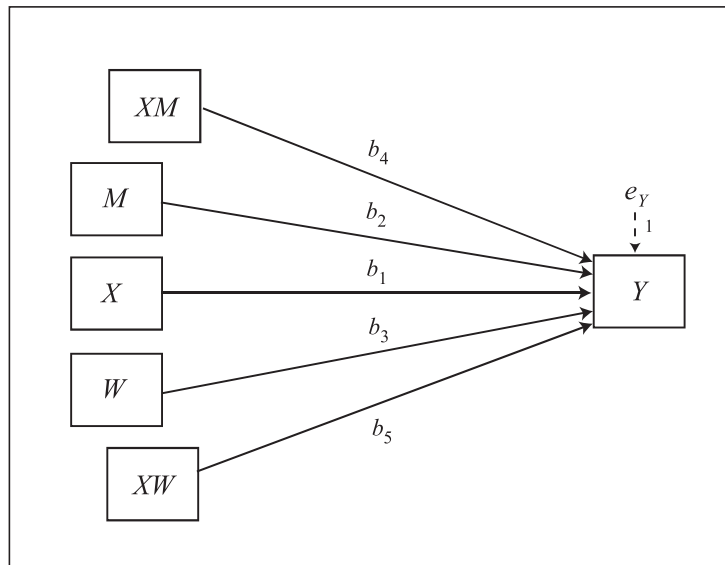
Conditional effect of X on $Y = b_1 + b_3M$

Model 2

Conceptual Diagram



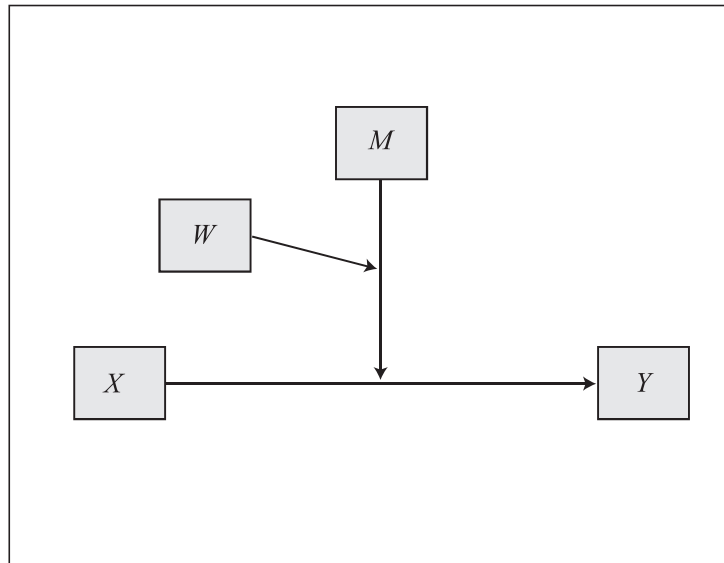
Statistical Diagram



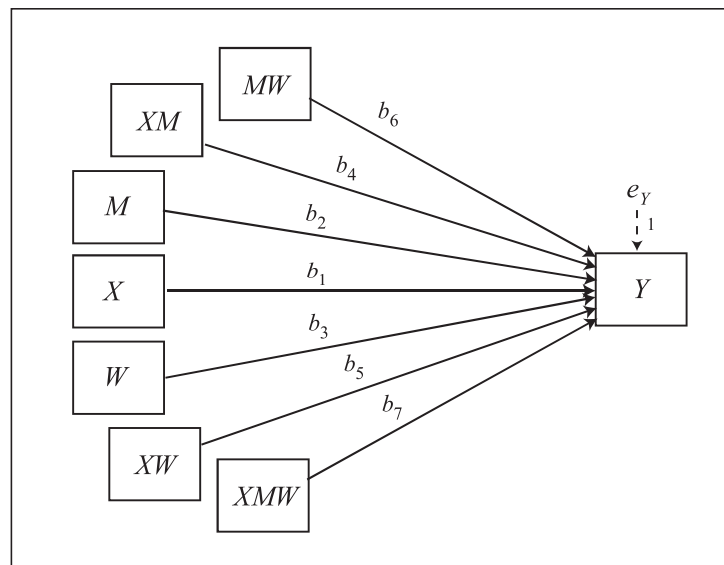
Conditional effect of X on $Y = b_1 + b_4M + b_5W$

Model 3

Conceptual Diagram



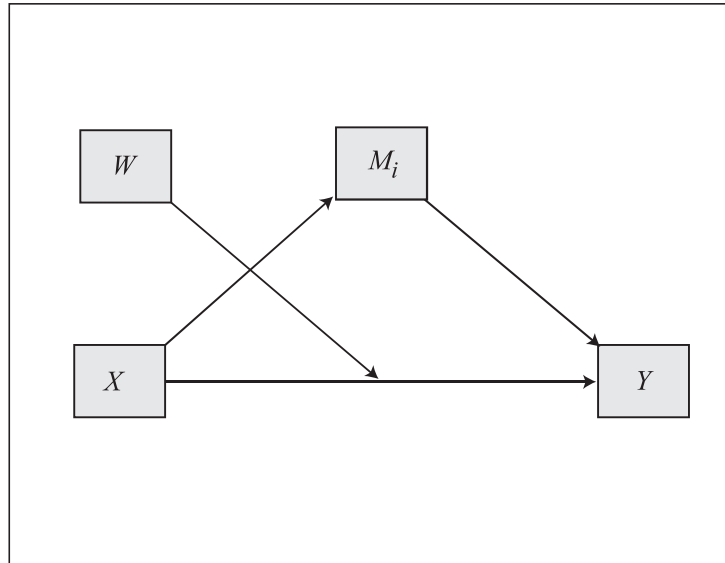
Statistical Diagram



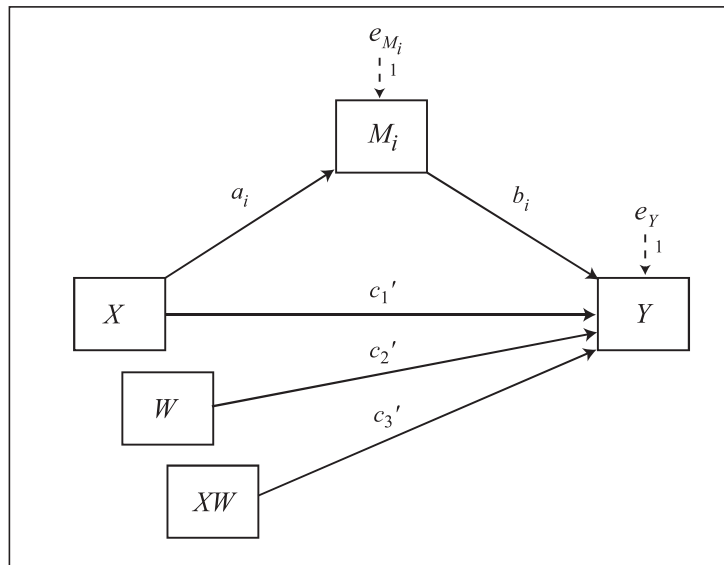
$$\text{Conditional effect of } X \text{ on } Y = b_1 + b_4M + b_5W + b_7MW$$

Model 5

Conceptual Diagram



Statistical Diagram



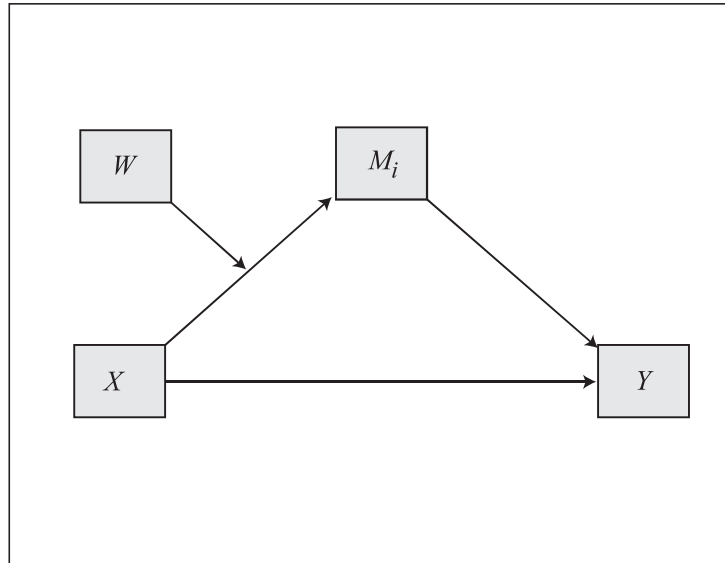
Indirect effect of X on Y through $M_i = a_i b_i$

Conditional direct effect of X on $Y = c_1' + c_3'W$

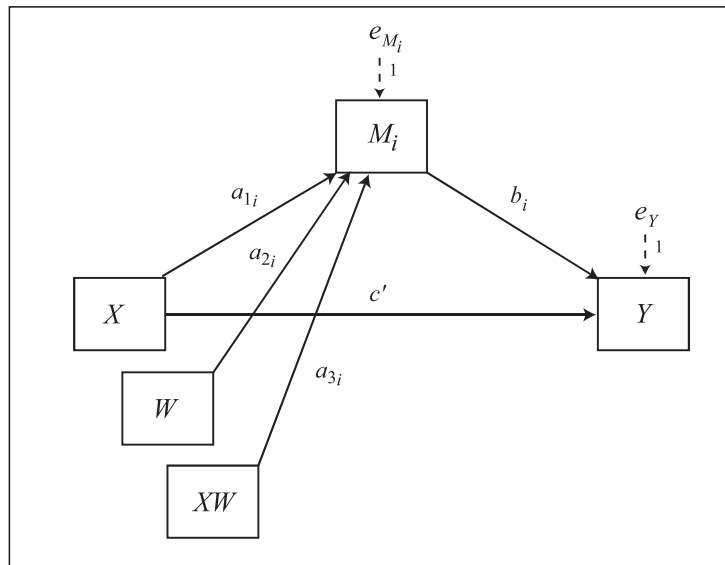
*Model 5 allows up to 10 mediators operating in parallel

Model 7

Conceptual Diagram



Statistical Diagram



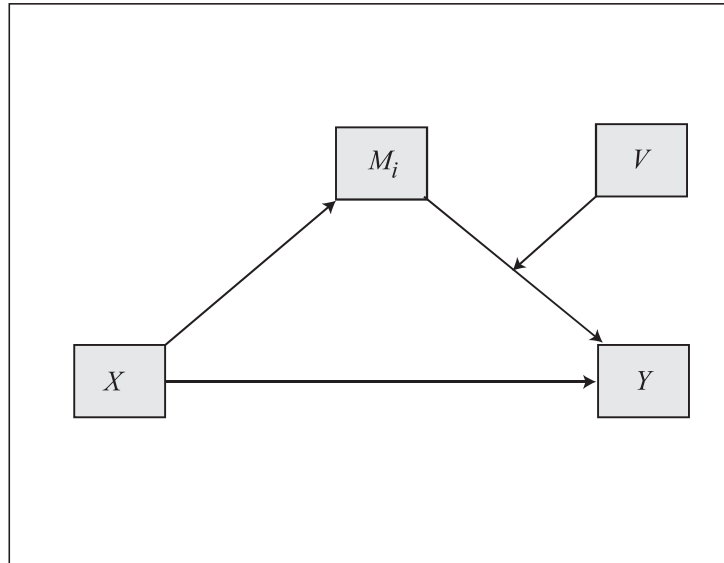
Conditional indirect effect of X on Y through $M_i = (a_{1i} + a_{3i}W)b_i$

Direct effect of X on $Y = c'$

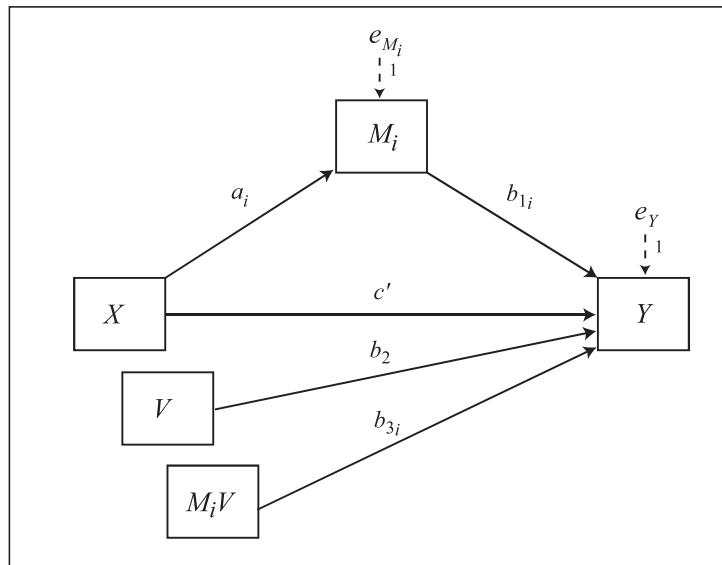
Note: Model 7 allows up to 10 mediators operating in parallel.

Model 14

Conceptual Diagram



Statistical Diagram



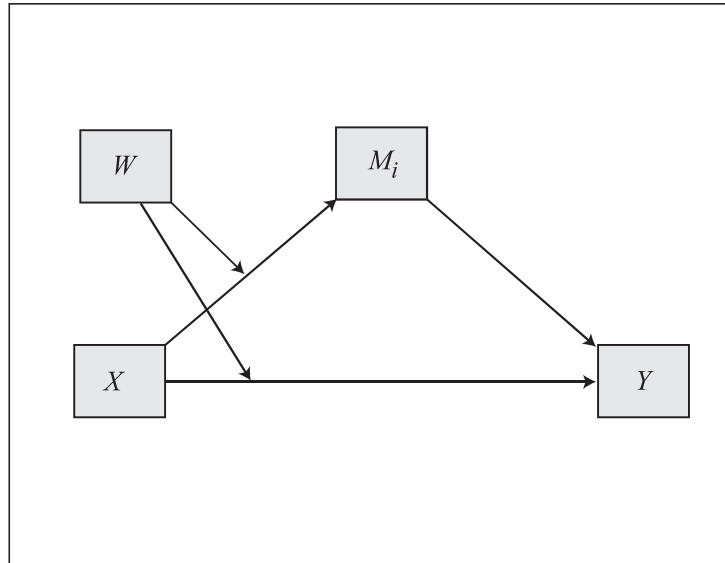
Conditional indirect effect of X on Y through $M_i = a_i (b_{1i} + b_{3i}V)$

Direct effect of X on $Y = c'$

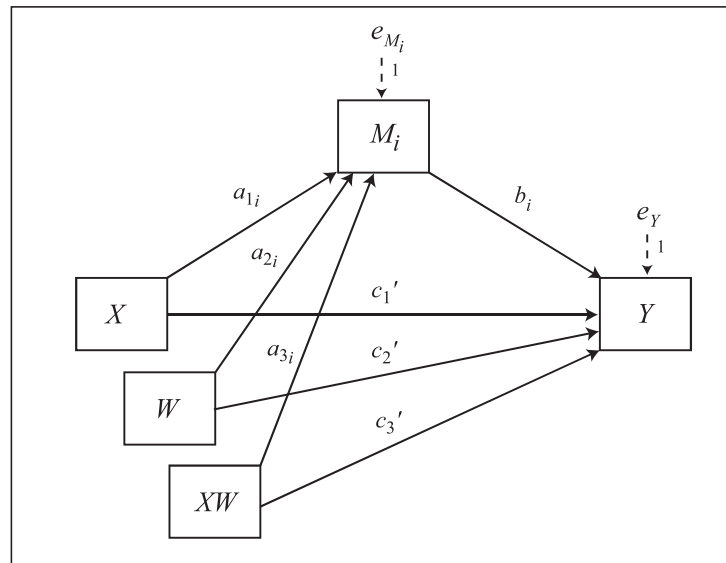
Note: Model 14 allows up to 10 mediators operating in parallel.

Model 8

Conceptual Diagram



Statistical Diagram



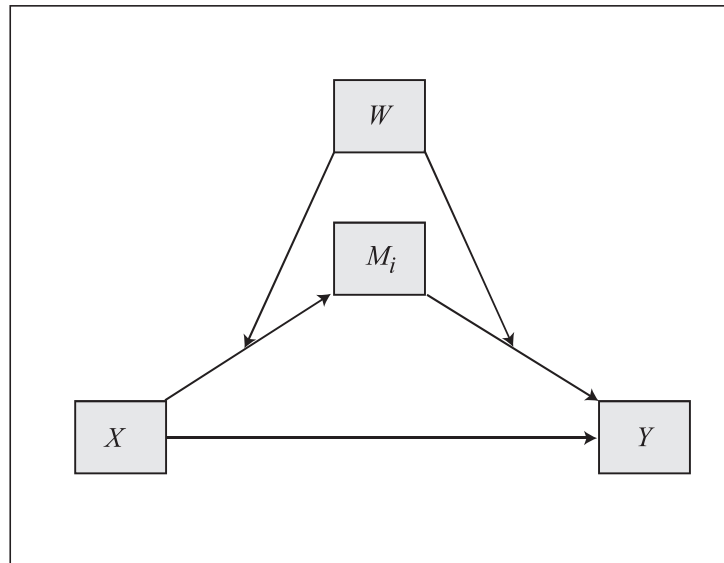
Conditional indirect effect of X on Y through $M_i = (a_{1i} + a_{3i}W)b_i$

Conditional direct effect of X on $Y = c_1' + c_3'W$

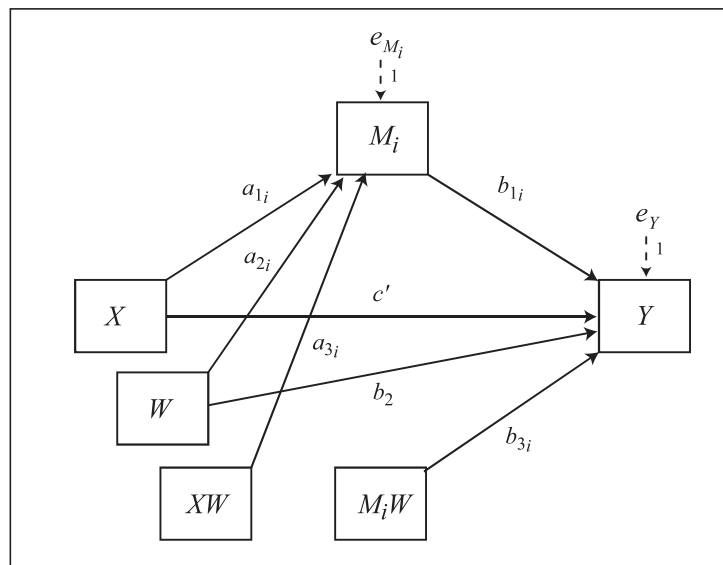
Note: Model 8 allows up to 10 mediators operating in parallel.

Model 58

Conceptual Diagram



Statistical Diagram

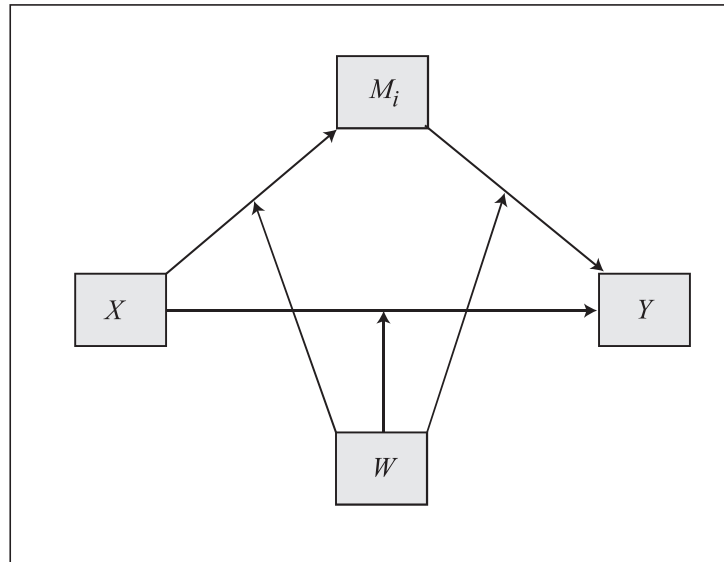


Conditional indirect effect of X on Y through $M_i = (a_{1i} + a_{3i}W) (b_{1i} + b_{3i}W)$
 Direct effect of X on Y = c'

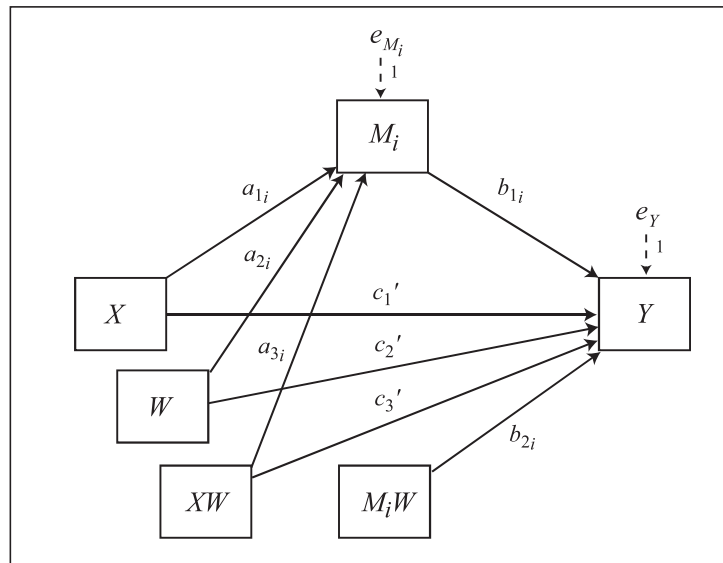
Note: Model 58 allows up to 10 mediators operating in parallel.

Model 59

Conceptual Diagram



Statistical Diagram



Conditional indirect effect of X on Y through $M_i = (a_{1i} + a_{3i}W) (b_{1i} + b_{2i}W)$
 Conditional direct effect of X on $Y = c_1' + c_3'W$

Note: Model 59 allows up to 10 mediators operating in parallel.